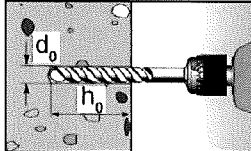
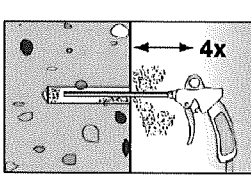
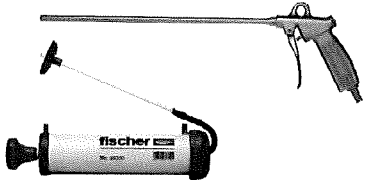


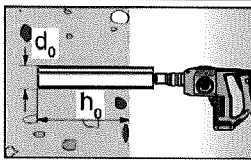
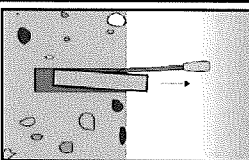
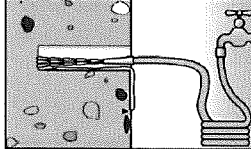
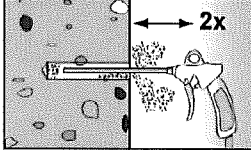
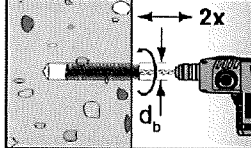
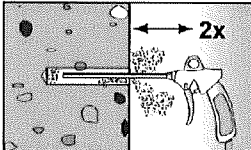
Installation instructions part 4; resin capsule RSB

Drilling and cleaning the hole (hammer drilling with standard drill bit)

1		<p>Drill the hole. Nominal drill hole diameter d_0 and drill hole depth h_0 see Tables B5.1 and B6.1</p>
2		<p>Clean the drill hole: Blow out the drill hole four times, with oil free compressed air ($p \geq 6$ bar) In uncracked concrete the use of the manual blow-out pump ABG is possible (Installation parameters: $d_0 < 18$ mm and $h_{ef} < 10d$)</p> 

Go to step 6 (Annex B 16)

Drilling and cleaning the hole (wet drilling with diamond drill bit)

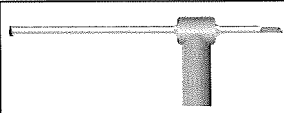
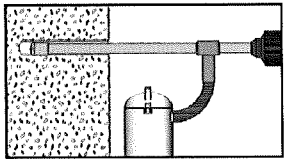
1		<p>Drill the hole. Drill hole diameter d_0 and drill hole depth h_0 see Tables B5.1 and B6.1.</p>	 <p>Break the drill core and remove it.</p>
2		<p>Flush the drill hole with clean water until it flows clear.</p>	
3		<p>Blow out the drill hole twice, using oil-free compressed air ($p > 6$ bar).</p>	
4		<p>Brush the drill hole twice using a power drill. Corresponding brushes see Table B11.1.</p>	
5		<p>Blow out the drill hole twice, using oil-free compressed air ($p > 6$ bar).</p>	

Go to step 6 (Annex B 16)

fischer Superbond	Annex B 15
<p>Intended use Installation instructions part 4; resin capsule RSB</p>	

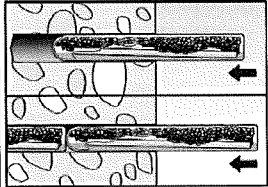
Installation instructions part 5; resin capsule RSB

Drilling and cleaning the hole (hammer drilling with hollow drill bit)

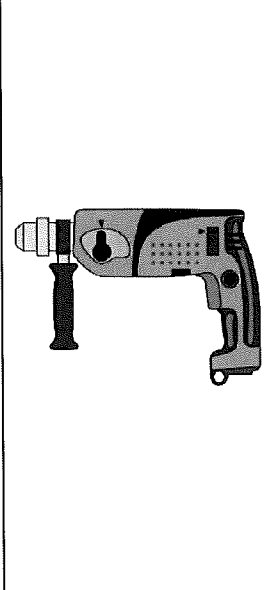
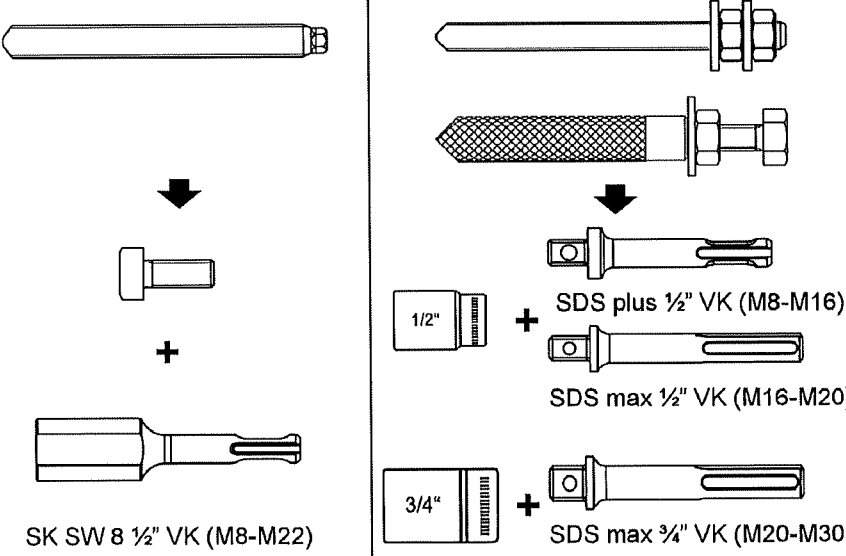
1		Check a suitable hollow drill (see Table B2.1) for correct operation of the dust extraction.
2		Use a suitable dust extraction system, e. g. fischer FVC 35 M or a comparable dust extraction system with equivalent performance data. Drill the hole with hollow drill bit. The dust extraction system has to extract the drill dust nonstop during the drilling process and must be adjusted to maximum power. Nominal drill hole diameter d_0 and drill hole depth h_0 see Tables B5.1 and B6.1 .

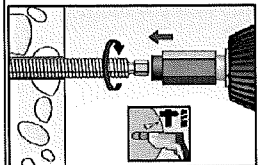
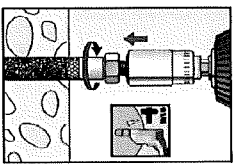
Go to step 6 (Annex B 16)

Installation fischer anchor rod RG M or fischer internal threaded anchor RG M I

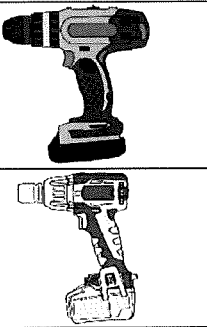
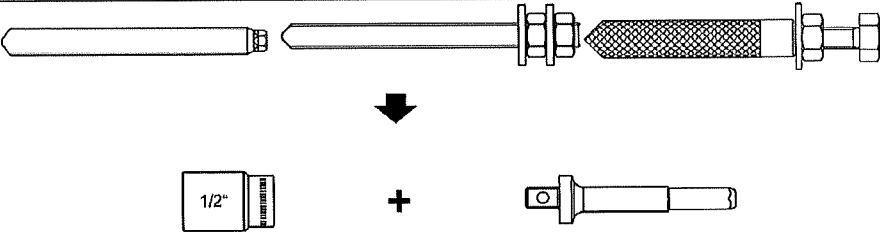
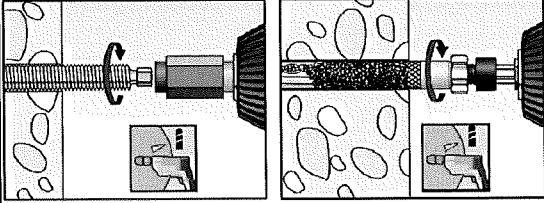
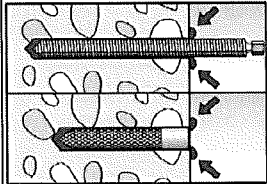

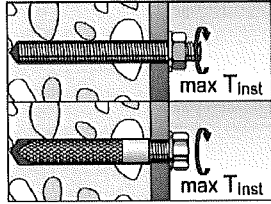
6		Insert the resin capsule into the drill hole by hand. Suitable resin capsule RSB or RSB mini see Table B9.2 .
---	--	--

Installation with rotary hammer

7a		 <p>SK SW 8 1/2" VK (M8-M22)</p> <p>1/2" + SDS plus 1/2" VK (M8-M16) SDS max 1/2" VK (M16-M20)</p> <p>3/4" + SDS max 3/4" VK (M20-M30)</p>
----	---	--

		Only use clean and grease-free metal parts. Using a suitable adapter, drive the fischer anchor rod RG M or the fischer internal threaded anchor RG M I into the capsule using a rotary hammer on rotary hammer mode. Stop when the metal parts reaches the bottom of the hole and is set to the correct embedment depth.
---	---	--

fischer Superbond	Annex B 16
Intended use Installation instructions part 5; resin capsule RSB	

Installation instructions part 6; resin capsule RSB	
Installation fischer anchor rod RG M or fischer internal threaded anchor RG M I (continue)	
Installation with cordless drill or tangential impact screwdriver (Specification according to step 7c)	
<p>7b</p> 	 <p>Anchor rod RG M: SK SW 8 1/2" VK (M8-M16) Internal threaded anchor RG M I: SK SW 8 1/2" VK (M8-M12)</p>
<p>7c</p> 	<p>Only use clean and grease-free metal parts. Using a suitable adapter, drive the fischer anchor rod RG M or the fischer internal threaded anchor RG M I into the capsule using a cordless drill screwdriver (only drilling operation, torque = 0 - 32 Nm and idle speed = 0 - 450 revolutions per minute, e.g., FEIN ASB 18, 1st gear or equivalent power tool) or tangential impact screw driver (torque = 0 - 400 Nm and idle speed = 0-2.150 revolutions per minute; e.g. fischer FSS 18V 400BL, torque setting 12 or equivalent power tool). Stop when the metal parts reaches the bottom of the hole and is set to the correct embedment depth.</p>
<p>8</p> 	<p>When reaching the correct embedment depth, excess mortar must emerge from the mouth of the drill hole. If not, the metal parts must be pulled out directly and a second resin capsule must be pushed into the drill hole. Setting process must be repeated (Step 7).</p>
<p>9</p>  <p>Wait for the specified curing time, t_{cure} see Table B11.3.</p>	<p>10</p>  <p>Mounting the fixture $\max T_{Inst}$ see Tables B5.1 and B6.1.</p>
<p>fischer Superbond</p>	
<p>Intended use Installation instructions part 6; resin capsule RSB</p>	<p>Annex B 17</p>