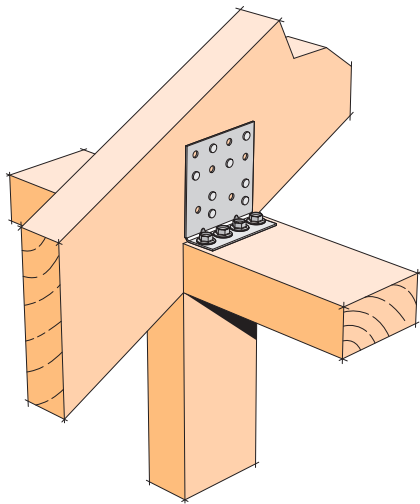




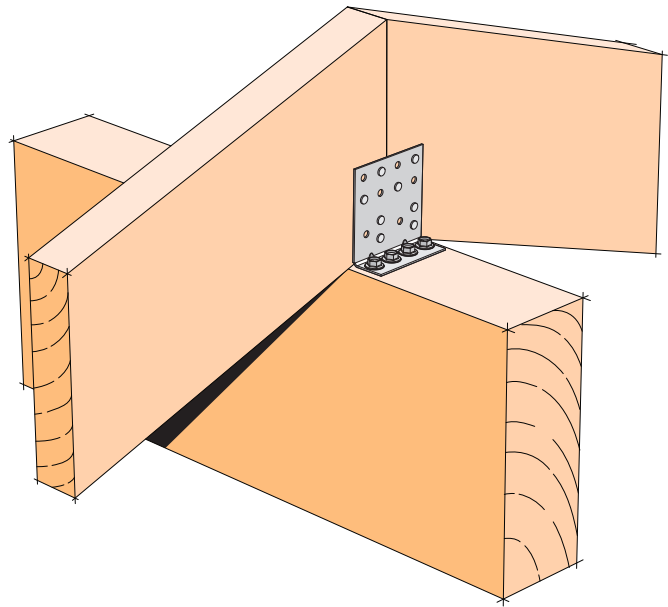
CONCEALED PURLIN CLEATS

- ★ Quick and Easy to Apply
- ★ Resists High Wind Uplift

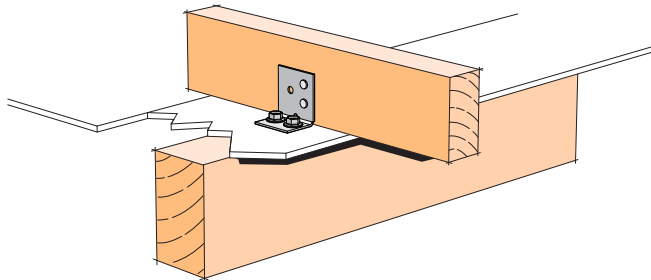
**USE STAINLESS STEEL
OPTION IN EXTERIOR
SITUATIONS**



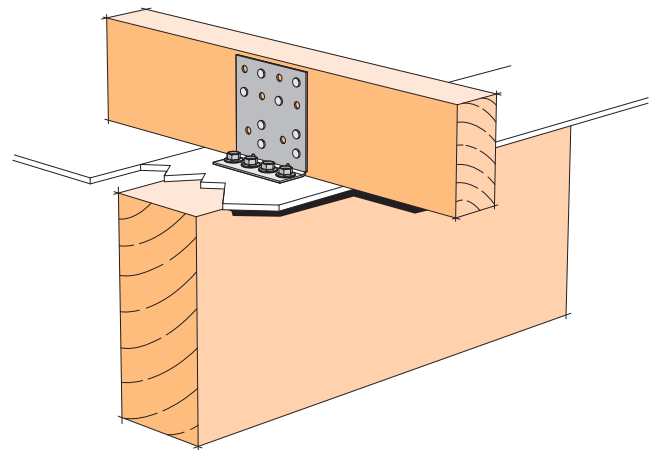
Exposed Rafter to Wall Fixing



Exposed Rafter to Ridge Beam Fixing



**Purlin to Exposed Rafter Fixing
CPC40S Shown**



**Purlin to Exposed Rafter Fixing
CPC80 Shown**

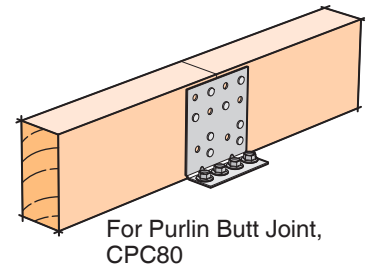
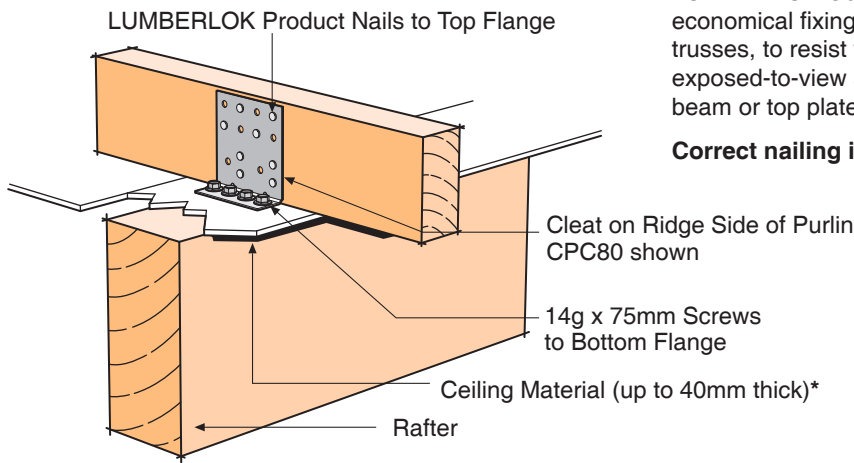


**SCAN FOR
INSTALLATION
VIDEO**

<https://vimeo.com/117350346>

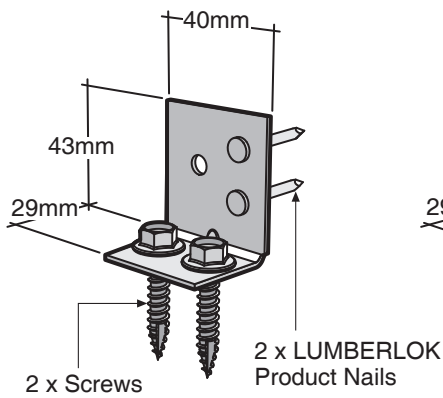
LUMBERLOK Concealed Purlin Cleats provide an economical fixing for purlins to exposed rafters or trusses, to resist wind uplift. They can also be used in exposed-to-view situations, such as a rafter to ridge beam or top plate situation.

Correct nailing is most important. See below.



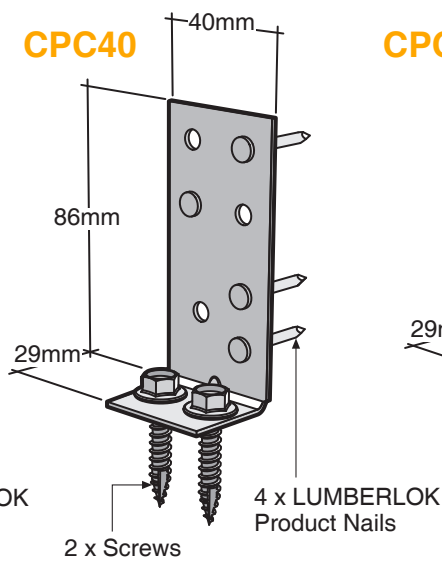
DIMENSIONS AND NAILING

CPC40S (short)



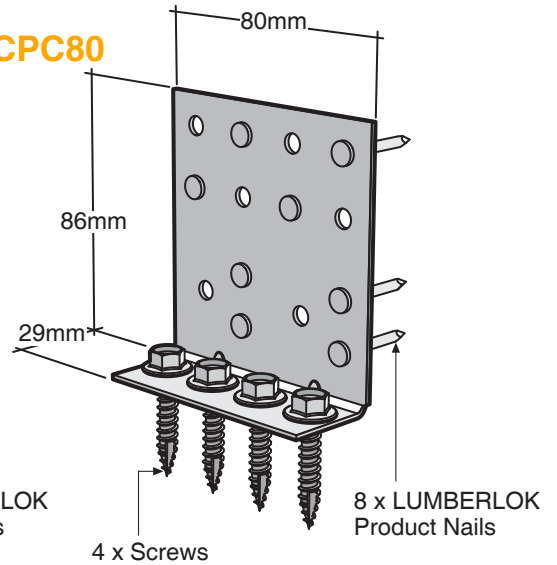
Rafter Width (nominal) **50mm**

CPC40

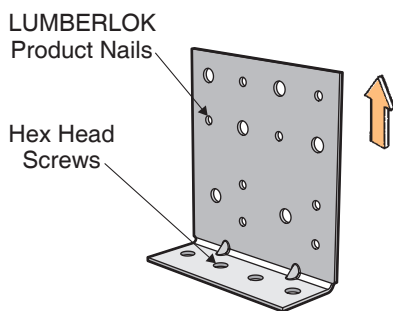


50mm

CPC80



100mm



Uplift Direction	CPC40S	CPC40	CPC80
Characteristic Load	-	8kN/pair	16kN/pair
Fix as shown with: LUMBERLOK Product Nails 30mm x 3.15 dia. Type 17-14g x 35mm Hex Head Screws*			

FIXINGS:

To Top Flange: LUMBERLOK Product Nails 30mm x 3.15 dia. or Type 17-14g x 35mm Hex Head Screws

Bottom Flange: Type 17-14g x 35mm Hex Head Screws

*Note: with ceiling material use Type 17-14g x 75mm Screws

Note: For Stainless Steel CPC use Stainless Steel screws and nails

MATERIAL:

1.55mm G300 Z275 Galvanised Steel or 0.9mm Stainless Steel 304-2B (SSCPC40S)
1.5mm Stainless Steel 304-2B (SSCPC40 and SSCP80)

**SCREWS AND NAILS
NOT INCLUDED WITH PRODUCT**