

CBI 5113

July 2015

GIB HandiBrac[®]

Panel Hold-Down Bracket

**NEW GIB
HANDIBRAC[®]
UPDATES
INSIDE**





GIB HandiBrac®

Panel Hold-Down Bracket

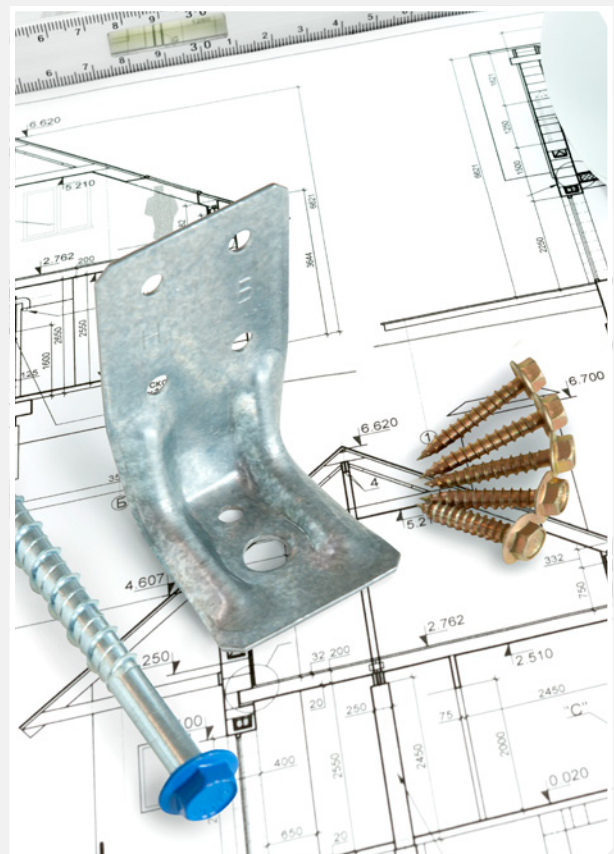
Developed in conjunction with MiTek™, the GIB HandiBrac® has been designed and tested by Winstone Wallboards for use in GIB EzyBrace® elements that require hold-downs. The GIB HandiBrac® is a substitute for bottom plate hold-down straps.

- Quick and easy to fit
- May be fitted at any stage before lining
- Framing face is clear to allow flush lining
- Easily inspected

The GIB HandiBrac® with BOWMAC® blue head screw bolt is suitable for timber and concrete floors constructed in accordance with NZS 3604:2011

The GIB HandiBrac® provides quick and easy installation. The registered design provides a flush surface for the wall linings because it is fitted inside the framing.

There is therefore no need to check in the framing as is recommended with conventional straps. Because the GIB HandiBrac® conveniently allows for installation and inspection at any stage prior to fitting internal linings, it is suitable for both new and retrofit construction.





GIB HANDIBRAC® OVERVIEW

COMPONENTS

GIB HandiBrac® is available in boxes of 10, each containing 5 pairs.

Components per paired pack include:

- 2 x GIB HandiBrac® Brackets
- 10 x Tek Screws
- 2 x BOWMAC® screw bolts included within specific GIB HandiBrac® pack

GIB® BRACING ELEMENTS

The GIB HandiBrac® is a proprietary product that has been tested and is suitable for use with specified GIB EzyBrace® Systems.

FIXING TO TIMBER FRAMED FLOORS

BOWMAC® screw bolt to achieve a characteristic uplift strength of 12kN.

FIXING TO CONCRETE SLABS

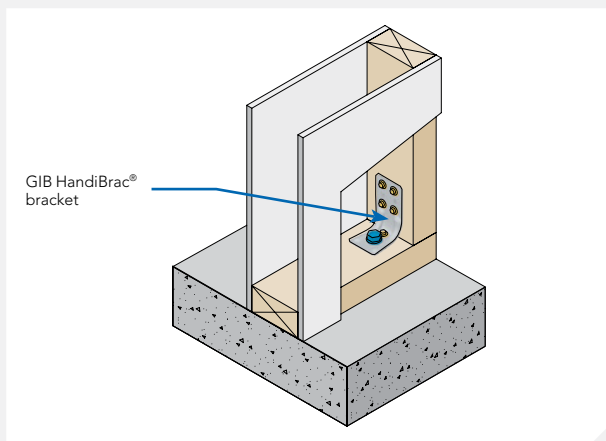
BOWMAC® screw bolt to achieve a characteristic uplift strength of 15kN



PANEL HOLD-DOWN DETAILS

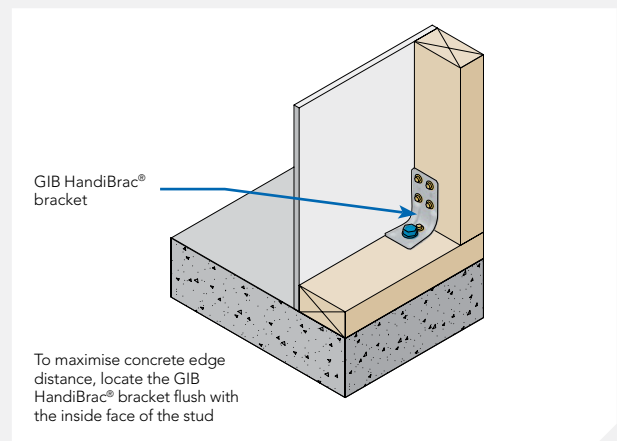
CONCRETE FLOOR – INTERNAL WALL

The bottom plate at both ends of the bracing element is fixed using a BOWMAC® screw bolt. For BOWMAC® screw bolt installation see instructions on next page



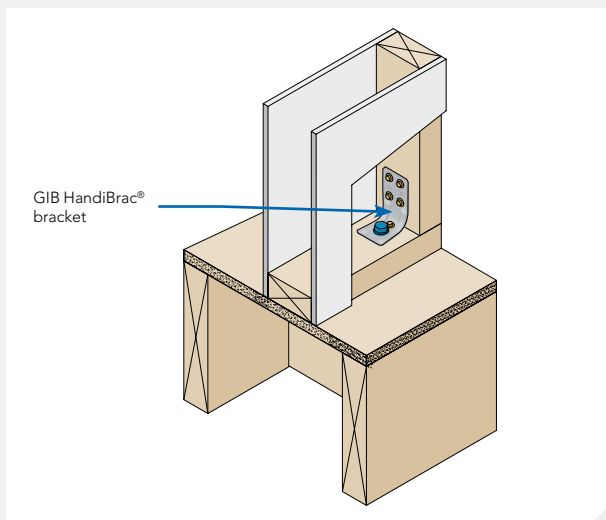
CONCRETE FLOOR – EXTERNAL WALL

The bottom plate at both ends of the bracing element is fixed using a BOWMAC® screw bolt. For BOWMAC® screw bolt installation see instructions on next page.



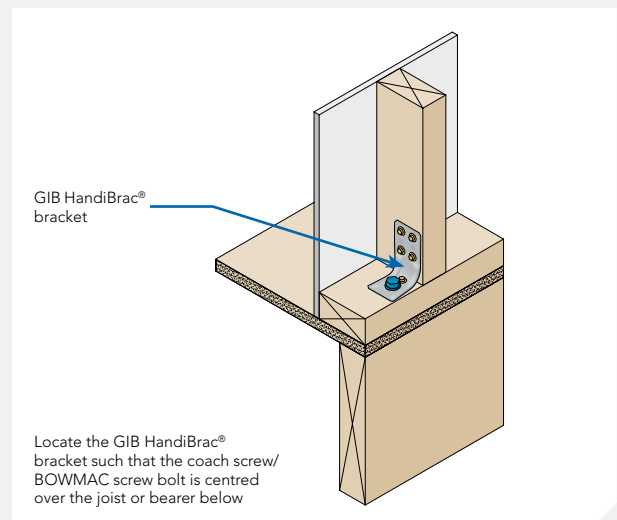
TIMBER FLOOR – INTERNAL WALL

Bottom Plate is fixed using a BOWMAC® screw bolt. For BOWMAC® screw bolt installation see instructions on next page.



TIMBER FLOOR – EXTERNAL WALL

Bottom Plate is fixed using a BOWMAC® screw bolt. For BOWMAC® screw bolt installation see instructions on next page.



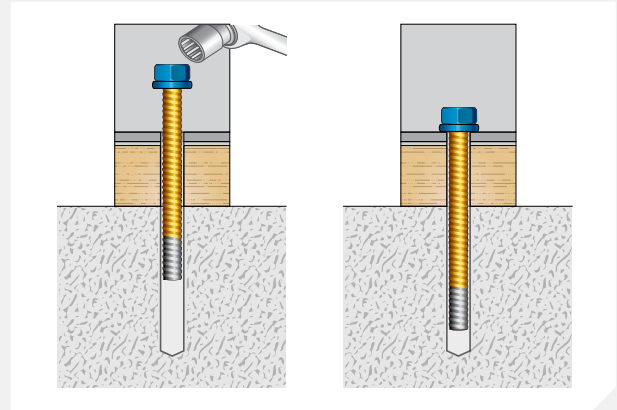
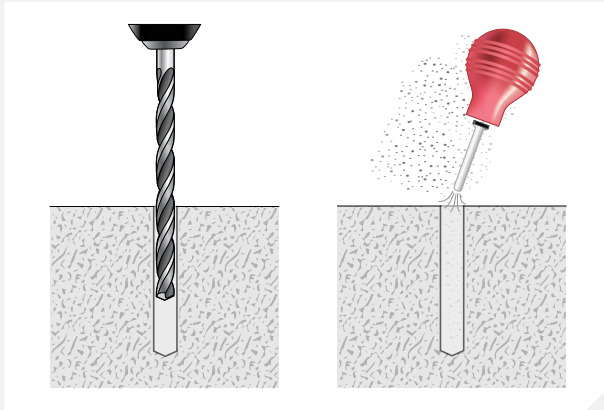


INSTALLATION OF GIB HANDIBRAC® BRACKET

1. Install the screw located in the bracket base
2. Install the BOWMAC® screw bolt as per instructions below
3. Install remaining four screws into the face of the timber stud

Installation Tips

- Use quality hexagonal socket with a ratchet spanner
- During installation debris or dust created by the thread cutting action may cause some resistance to be experienced. This is easily overcome by unscrewing the BOWMAC® screw bolt for one turn or more and then continuing to fix to the full embedment.



PREPARATION

- Use a 10mm diameter masonry bit for a solid concrete substrate and an 8mm diameter bit for fixing to a timber sub-floor.
- Drill a hole into the base material to depth 8 mm deeper than the required embedment and clean out the hole of dust and debris prior to installation of BOWMAC® screw bolt.

FIXING THE BRACKET

- Insert the bolt through the GIB HandiBrac® plate and bracket and into the hole.
- Begin tightening the bolt by applying forward pressure when engaging the first thread.
- Additional forward pressure may be required for installation in high strength, dense base materials.
- Continue tightening the anchor until the head is firmly seated against the GIB HandiBrac® base.
- In extremely dense material, use of an impact wrench is recommended.
- Be sure the bolt is at the required embedment depth.
- The installation is now complete.



GIB HANDIBRAC®

TRADEMARKS

The name GIB®, GIB HandiBrac® and the shield device are registered trademarks of Fletcher Building Holdings Limited.

Copyright © Winstone Wallboards 2015

NZ Registered Design Application #420161

MANUFACTURER

GIB HandiBrac® is manufactured and distributed by MiTek New Zealand Ltd.

© Copyright 2015 MiTek Holdings, Inc. All rights reserved.

Auckland Office

40 Neales Rd, East Tamaki, Auckland 2013, New Zealand
P O Box 58-014, Botany, Auckland 2163, New Zealand
Ph: 64-9-274 7109, Fax: 64-9-274 7100

Christchurch Office

14 Pilkington Way, Riccarton 8440, Christchurch, New Zealand
P O Box 8387, Riccarton, New Zealand
Ph: 64-3-348 8691, Fax: 64-3-348 0314

www.mitek.nz.co.nz



Winstone Wallboards Limited - National Support

37 Felix Street, Penrose, Auckland 1061, New Zealand
P O Box 12 256, Penrose 1642, Auckland, New Zealand
Ph: 64-9-633 0100, GIB® Helpline: 0800 100 442

Fax: 64-9-633 0101, Free Fax: 0800 229 222

Email: info@gib.co.nz

Web: www.gib.co.nz

