

GROUND BAR CHAIR G50/65



POSITIVE CLIP-ON



FITS STEEL 6 - 25mm

“What we like about Castle is they are always right there to help and have stock on hand”

– John - Distributor

The design specifics of our **G50/65 Ground Bar Chair**.

This chair is designed with the user and highest construction standards in mind.

The G50/65 is built to withstand high loading and features include the handy clip on function so you can clip on to the mesh upside down and give the mesh a shake and all the chairs swing into place.

These chairs are batch tested and meet the AS/NZS 2425:2015 Standards for bar chairs in reinforced concrete.

Perfect For:

Slab on ground applications, Trench bar supports, Driveways, Paths, Patios, Civil precast construction.

PAGE 2
FOR MORE INFO



 **0800 55 33 00**

www.castlenz.com
15 Thames Street Pandora, Napier 4110 New Zealand
sales@castlenz.com

APPLICATIONS

- Slab on Ground
- Patios, Paths, Driveways
- Trench bar supports
- Civil Precast construction

TECHNICAL CHARACTERISTICS

Code	G50/65
Cover	50&65mm
Diameter	100mm
Colour	Multi
Bag Quantity	100 units
Bag Weight	3.4kg
Pallet Quantity	6000 units
Pallet Weight	240kg
Pallet Cubic Area (m ³)	1.4m
Test Standard	AS/NZS 2425:2015
H2S Resistance	A1 - Excellent*
Material	Polypropylene

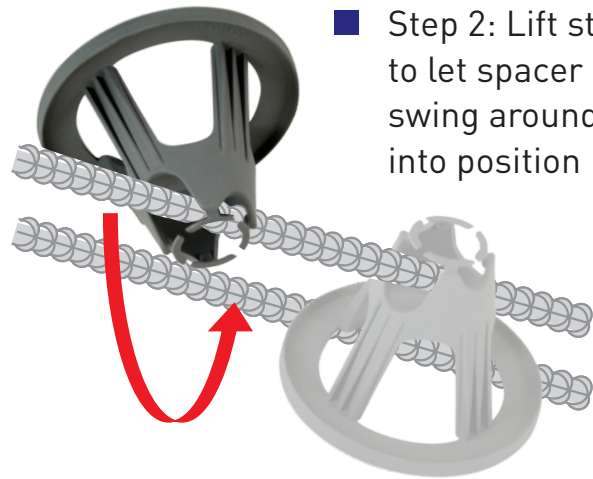
*Chemical Effect; Excellent. Satisfactory to 72°F (22°C)

FEATURES AND BENEFITS

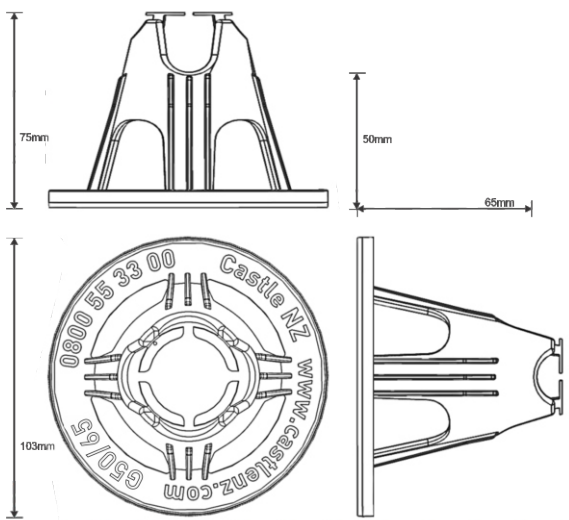
- Clip Style top
- Fits mesh/bar sizes 6-25mm
- Heavy duty stable support.

EVERYDAY APPLICATION

- Step 1: Clip Spacer to Mesh / Bar
- Step 2: Lift steel to let spacer swing around into position



TECHNICAL DIMENSIONS



TEST DATA

