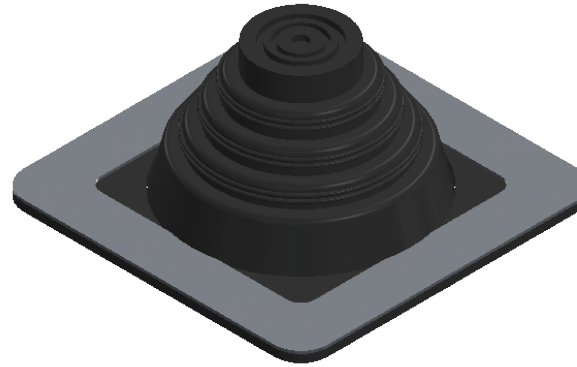
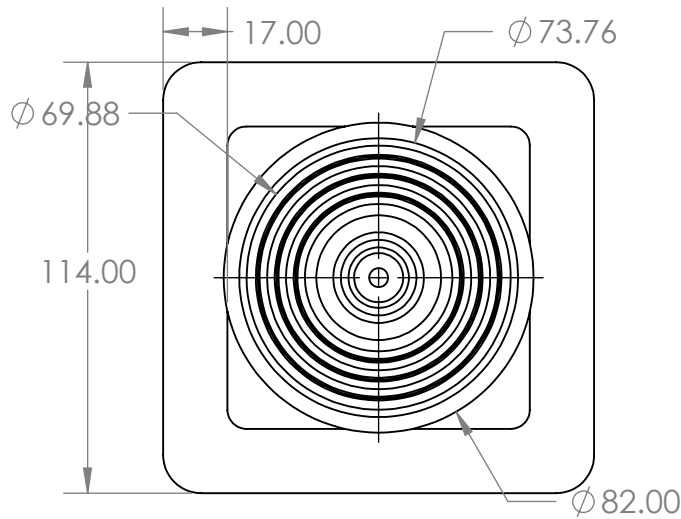
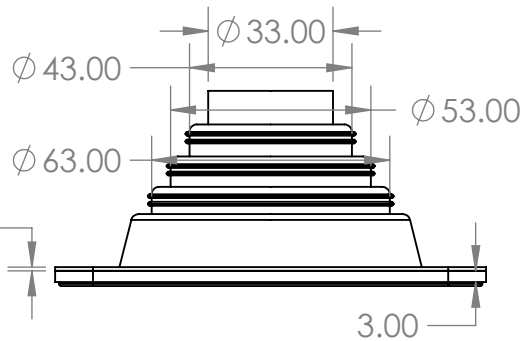


### MasterFlash No1 Square Base 6 – 70mm Black



#### Description

- EPDM rubber.
- Available in Black, Grey and silicone red.
- Also available in BHP roofing colours on request.
- Size range: 0mm to 1m available.
- All EPDM Master Flash pipe flashings have a high temperature resistance of 135°C intermittently. A red silicone compound is also available, and this product has a high resistance of 260°C intermittently.
- Complies with BAL rating requirements.



#### FAQs

**Q. What is the highest temperature a Master Flash® pipe flashing will handle?**

- All EPDM MasterFlash flashings 135°C intermittently.
- A silicone red flashing has a high resistance of 260°C intermittently.

**Q. What type of sealant should be used on the Master Flash® flashing?**

- A good quality roof & gutter silicone sealant should always be used when installing a Master Flash pipe flashing for metal roofs.

**Q. What type of screws should be used to fasten the flashings?**

- The use of a self-drilling screw or pop rivet (sealed) is always recommended.

**What is the life expectancy of the Master Flash® flashings?**

- All Master Flash products carry a 25-year warranty.

**Q. What is the maximum roof pitch that the flashings can be used for?**

- Most of our products are designed to cater to a roof pitch of 45°. If more is required, then our Master Flash Extreme Angle range is designed with a built in 40° pitch and therefore can handle a roof pitch from 35° – 65°.

**Q. Is there a product that can flash a Square Pipe?**

- Yes, our Master Flash Square Vent Range is available and will suit penetrations from 20mm – 125mm. Now also available in a lead base option.



**PROPRIETARY AND CONFIDENTIAL**

THE INFORMATION CONTAINED IN THIS DRAWING IS THE SOLE PROPERTY OF AZTEC AUSTRALASIA. ANY REPRODUCTION IN PART OR AS A WHOLE WITHOUT THE WRITTEN PERMISSION OF AZTEC AUSTRALASIA IS PROHIBITED.

		DIMENSIONS ARE IN INCHES TOLERANCES: FRACTIONAL ± ANGULAR: MACH ± BEND ± TWO PLACE DECIMAL ± THREE PLACE DECIMAL ±	DRAWN				
		INTERPRET GEOMETRIC TOLERANCING PER:	CHECKED				
		MATERIAL	ENG APPR.				
		FINISH	MFG APPR.				
			Q.A.				
			COMMENTS:				
NEXT ASSY	USED ON						
APPLICATION		DO NOT SCALE DRAWING					

TITLE:

SIZE	DWG. NO.	REV
<b>A</b>	<b>MFS1B</b>	
SCALE: 1:2	WEIGHT:	SHEET 1 OF 1